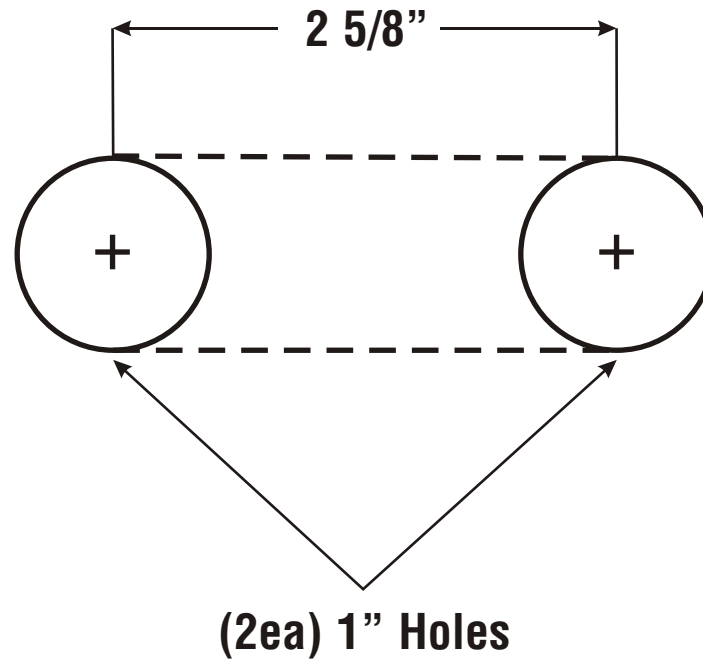


SPASIDE CONTROL TEMPLATE

IMPORTANT - The template on this page is to be used with ECO-1, 2, 5 & 6 series controls **ONLY**. Refer to the "Installation Manual" for installation details.



SPASIDE CONTROL TEMPLATE

IMPORTANT - The template on this page is to be used with HT-2, ECO-3, 7 & 8 series controls **ONLY**. Refer to the "Installation Manual" for installation details.

